

## RE PLA DA1

### Dimmer for DALI Drivers or Ballasts

---

#### Description

---

- Small Dimmer for DALI Drivers or Ballasts.
- Unidirectional and Broadcasting communication.
- Control by conventional pushbuttons, with or without memory:
  - Brief press: switch on/off.
  - Sustained press: dimming up/down.
- Dimming speed adjustable by rotary knob.
- Flush-mounting into junction box.
- Built-in relay to disconnect the supply of the drivers.



#### Technical Characteristics

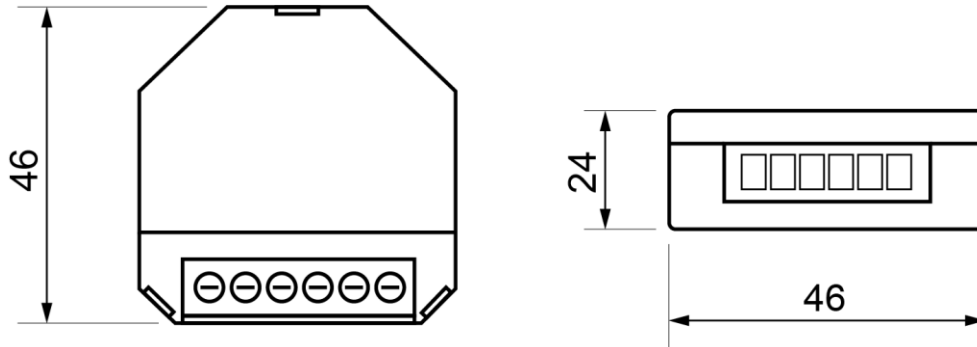
---

Reference	RE PLA DA1
Power Supply	230V~ 50/60Hz
Consumption	< 3W
Type of Load	DALI Driver or Ballast
Maximum Number of ECGs	64
DALI Signal	16V Synchronized
Outputs	1 channel / 1 group
Dimming range	0, 10% ~ 100%
Control	Non-Lighted Pushbuttons
Maximum Number of Pushbuttons	Unlimited (non-lighted ones)
Dimensions	46 x 46 x 24mm
Working Temperature	0°C ~ +40°C
Environmental Protection	IP20, according to EN60529
Terminals	Cables of up to 6mm <sup>2</sup>
According to the Standard	EN60669-2-1

# RE PLA DA1

## Dimmer for DALI Drivers or Ballasts

### Dimensions



### Wiring Diagrams

